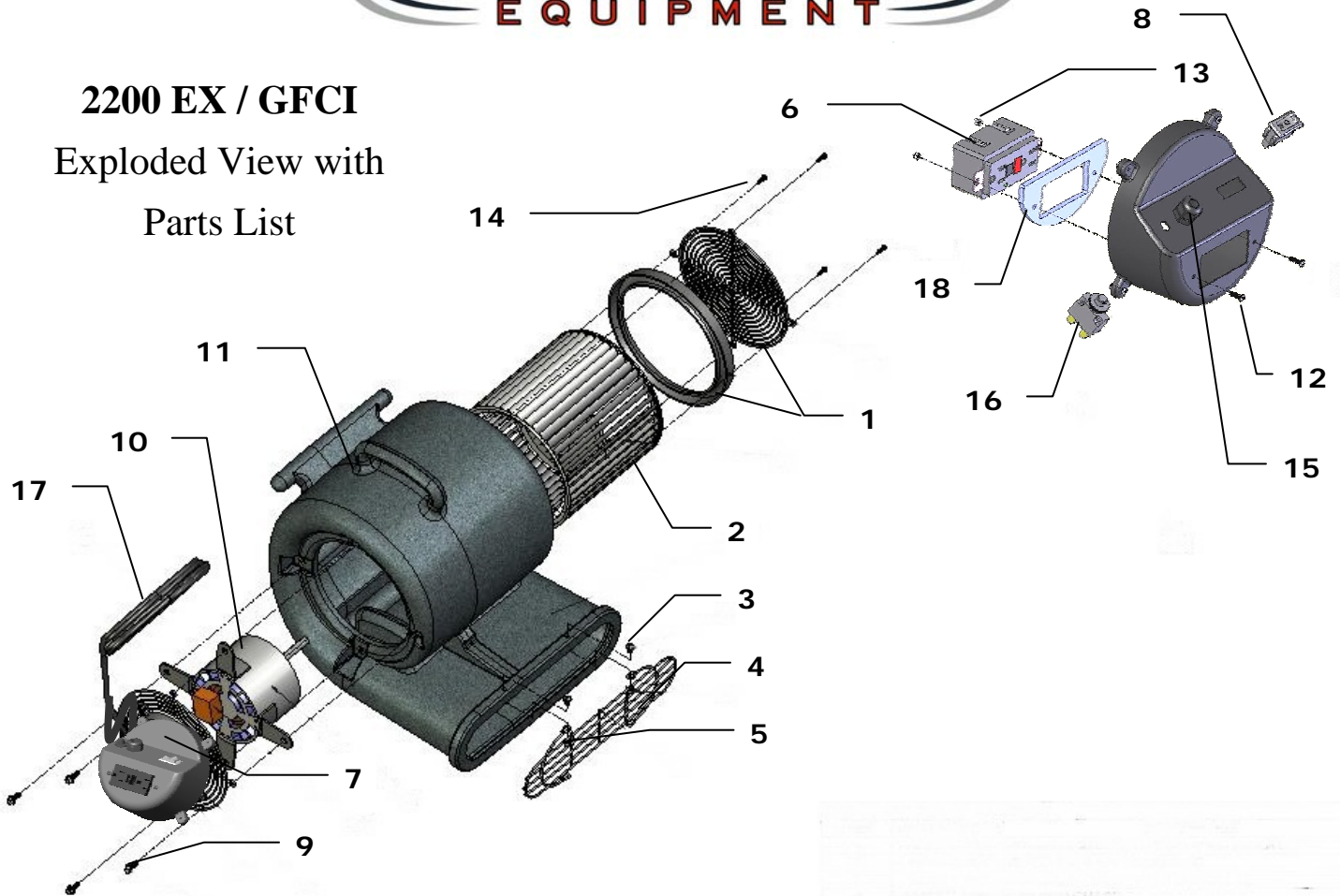


VIKING

EQUIPMENT

2200 EX / GFCI

Exploded View with
Parts List



Item	Description	Qty Req.	Viking Part#	Item	Description	Qty Req.	Viking Part#
1	Guard,Fan Side	1	A956A	10	Motor, 1/3 HP 115V	1	AB033002SM
2	Blower Wheel, SM Metal	1	H323CC	11	Housing,SM Grey Granite	1	SM GGR
3	Bolt, 1/4-20x3/4 Hex Head	2	1/4-20x3/4 188	12	Screw, 6-32X1/2 KBC	2	EX 6-32X1/2
4	Front, Guard	1	H339	13	Nut, 6-32 Nylok	2	EX 6-32 Nylok
5	1/4-20 Nylon Nut	2	1/4-20 NYL	14	Screw, 8-15x3/4	4	8-15x3/4
6	GFCI Outlet	1	EX GFCI3	15	Strain Relief	1	H221
7	Switch Housing / GFCI	1	EX A955AA	16	Circuit Breaker, Carling	1	EX 561
8	Switch 3-way, Cherry	1	EX 560	17	Cord 14/3 SJTOW Black	1	EX Cord
9	Flange Bolt, 1/4-20x3/4	4	1/4-20x3/4 FLG	18	Spacer, Plastic, GFCI	1	EX Spacer